

Safety Relief Valve RMG 873



**Operation and Maintenance,
Spare Parts**

640.20
edition 06/1990

Serving the Gas Industry - WORLDWIDE



The detailed information 873.00 for the safety relief valve (SBV) contains technical data, type description and dimensions. The "General operating instruction for gas pressure regulators and safety devices" contains information on starting and adjustment of the device.

Index of "Operation and maintenance, Spare parts" 873.20"::

- 1.1. Special operating notes
- 1.2. Maintenance instruction
 - 1.2.1. General
 - 1.2.2. Maintenance notes
- 2. Spare parts
 - 2.1. Spare parts drawing
 - 2.2. Spare parts list

1.1. Special operating notes

Our brochure "General Operating Instructions for Gas Pressure Regulators and Safety Devices" will be useful to fit the valve into the line, put into the line, put into service and find faults that might disturb the operation.

The construction, set-up, supervision and maintenance of gas pressure pressure stations are subject to various national technical rules, which should be strictly observed. In Germany please refer to the DVGW-Worksheets G 490, G 491 and G 495.

1.2. Maintenance instruction

1.2.1. General

The frequency of periodical maintenance of gas pressure regulator RMG 214 should be determined according to the prevailing conditions and the type and composition of the gaseous medium. We, therefore, abstain from imposing any fixed intervals. In Germany please refer to the recommendations given by the DVGW-Worksheets G 495.

For maintenance all elements are to be cleaned and thoroughly checked visually. A visual control is also necessary if irregularities in the response behaviour occur during functional tests.

Particular care should be given to the checking of sealings and diaphragms, as well as carrying and moving parts. Damaged parts have to be replaced by new ones.

The item nos. listed in the maintenance instruction correspond to those in the spare parts list.

1.2.2. Maintenance notes

- Exchange of sealing disc (13)

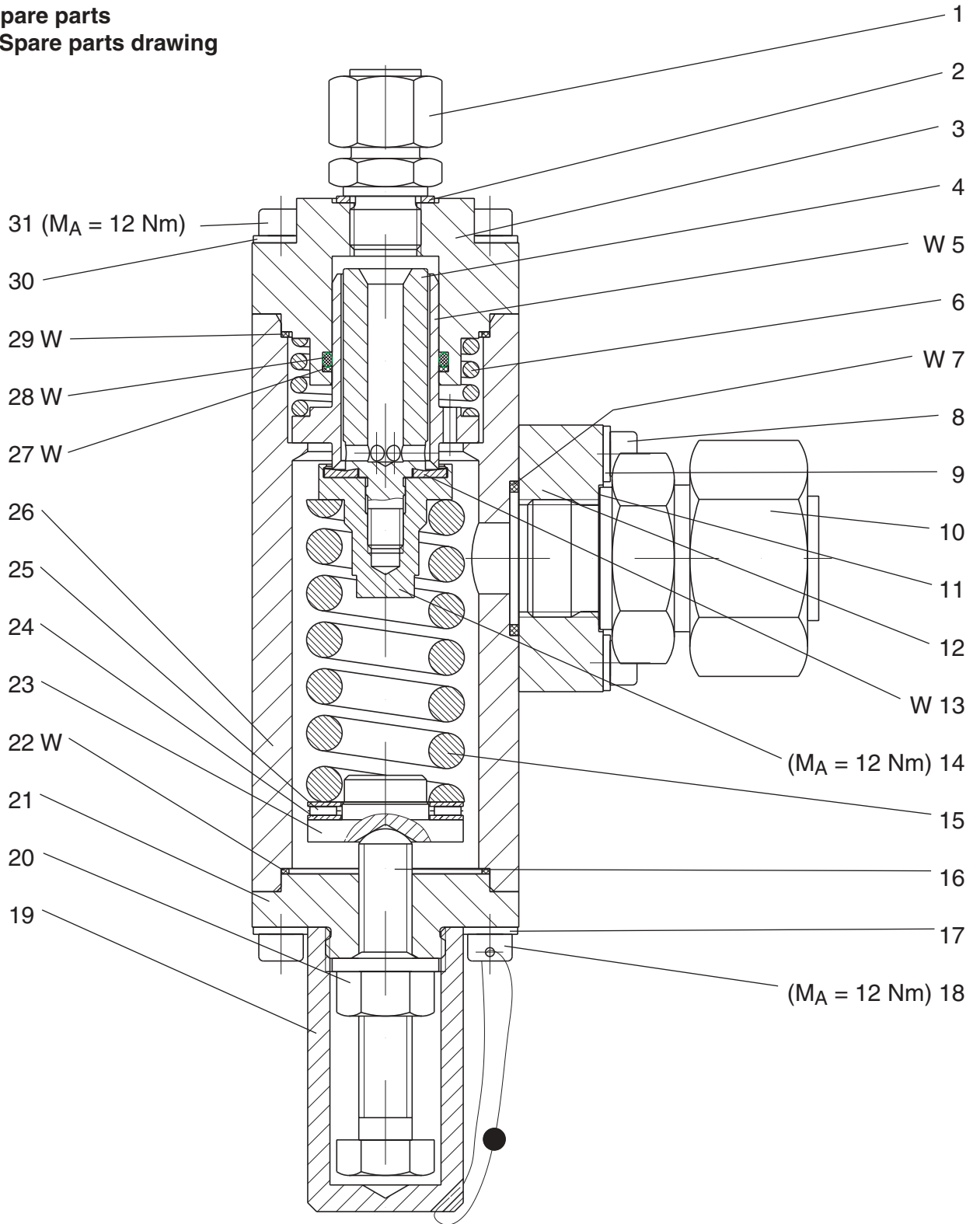
Remove cover (21). Pull out mounting unit piston (4) and valve plate (4). Fix piston and screw off valve plate (13). Exchange sealing disc (13). Note: Fix sliding surfaces of piston (4) into protection cheeks.

Prior to mounting slightly lubricate sliding surfaces of piston (4) with high efficiency grease and apply screw protection Locktite to thread. Mount parts. Note: Piston (4) must easily move within valve sleeve (5).

- Exchange of valve sleeve (5)

dismount piston housing (3) and exchange valve sleeve (5). Note: screw in / off cylindrical screws (30) cross-wise.

2. Spare parts
2.1 Spare parts drawing



2.2. Spare parts list (Parts to be held in stock for maintenance)

item no.	description	material	RMG stock no.
5	valve sleeve	St	10 010 422
7	o-ring	KG	00 020 237
13	sealing washer	KG	10 010 429
22	o-ring	KG	00 020 293
27	supporting ring	KG	00 026 420
28	o-ring	KG	00 020 327
29	o-ring	KG	00 020 293
50	silikone grease 400 light	-	00 027 081

material key:
 St ... steel
 KG ... rubber-like plastic material

We supply you with products for gas pressure regulation:



RMG REGEL + MESSTECHNIK GMBH

Osterholzstrasse 45, D-34123 Kassel, Germany
Telephone (+49) 561 5007-0 • Fax (+49) 561 5007-107
gas pressure regulators and safety devices



RMG-GASELAN Regel + Meßtechnik GmbH

Julius-Pintsch-Ring 3, D-15517 Fürstenwalde, Germany
Telephone (+49) 3361 356-60 • Fax (+49) 3361 356-836
gas pressure regulating equipment, displacement meters, complete stations



Bryan Donkin RMG Gas Controls Ltd.

Enterprise Drive, Holmewood, Chesterfield S42 5UZ, England
Telephone (+44) 1246 501-501 • Fax (+44) 1246 501-500
gas pressure regulating equipment, below ground gas control modules



Bryan Donkin RMG Co. of Canada Ltd.

50 Clarke Street South, Woodstock, Ontario N4S 7Y5, Canada
Telephone (+1) 519 5398531 • Fax (+1) 519 5373339
domestic regulators and safety devices

The other RMG Companies:



RMG Messtechnik GmbH

Otto-Hahn-Strasse 5, D-35510 Butzbach, Germany
Telephone (+49) 6033 897-0 • Fax (+49) 6033 897-130
turbine meters, vortex meters, correctors, flow computers, odorizers



Karl Wieser GmbH

Anzinger Strasse 14, D-85560 Ebersberg, Germany
Telephone (+49) 8092 2097-0 • Fax (+49) 8092 2097-10
Betriebsstelle Beindersheim
Heinrich-Lanz-Strasse 9, D-67259 Beindersheim/Pfalz, Germany
Telephone (+49) 6233 3762-0 • Fax (+49) 6233 3762-40
data logging, monitor systems, danger alarm systems



WÄGA Wärme-Gastechnik GmbH

Osterholzstrasse 45, D-34123 Kassel, Germany
Telephone (+49) 561 5007-0 • Fax (+49) 561 5007-207
design and assembly of gas pressure regulating and metering stations

The RMG Group of Companies on the internet: <http://www.rmg.de>

Serving the Gas Industry - WORLDWIDE



We reserve the right for technical changes